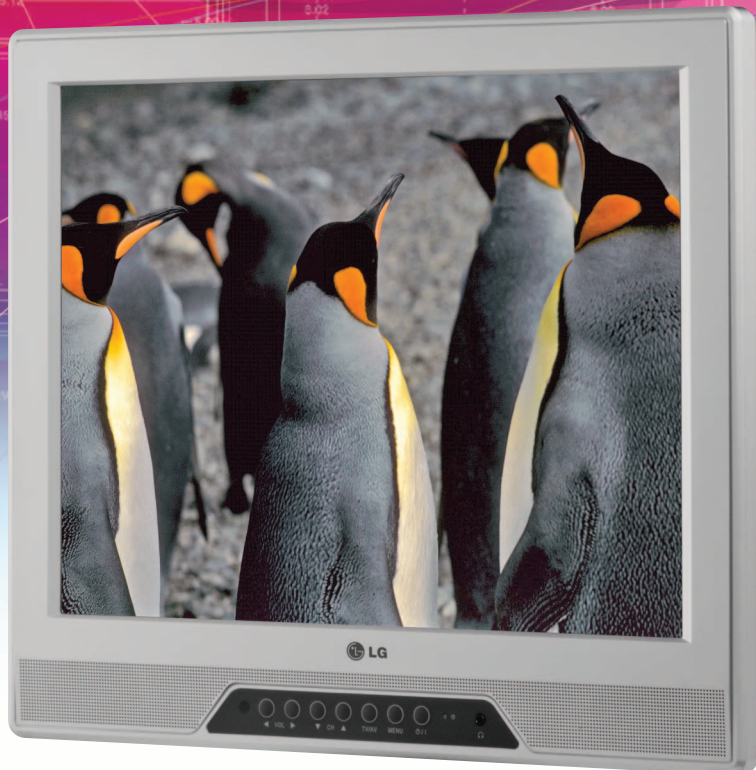


# LCD TV

## 20LH1DC1

Hospital Grade 20.1" LCD EDTV



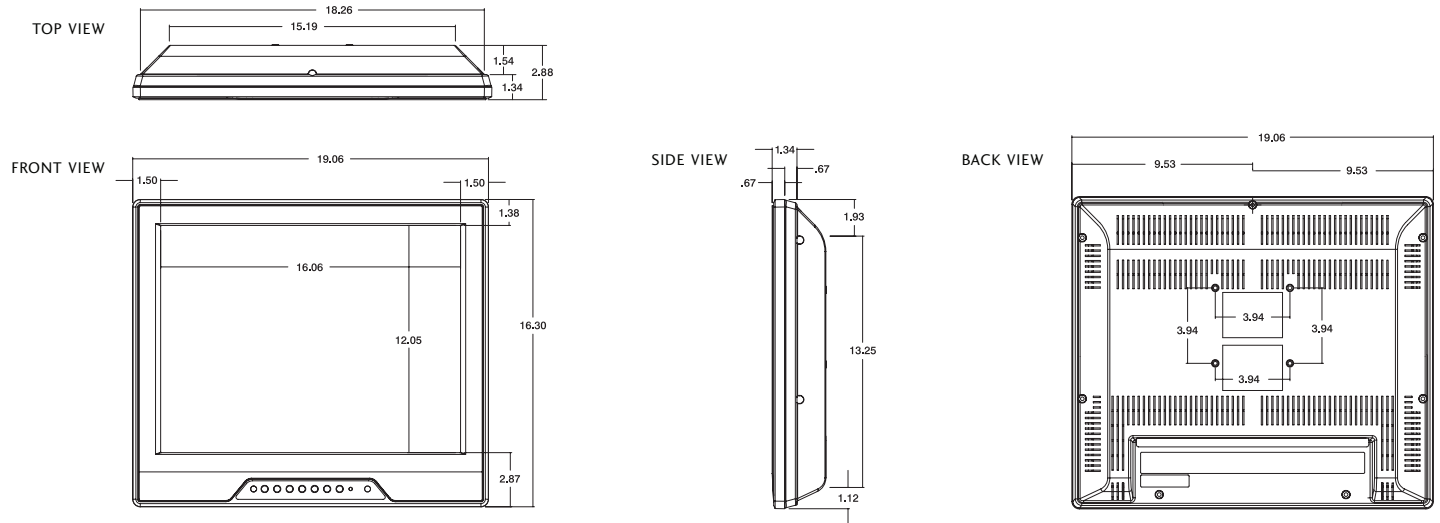
20.1" LCD EDTV  
20LH1DC1



- **20.1" LCD EDTV**
- **UL Hospital Grade Listed**  
Built-in Pillow Speaker Port  
Built-in Card Slot (MPI™ Interface)  
Electrically Isolated Earphone Output  
High Reliability, Sealed Front Panel Controls
- **HD VOD PPD Decryption**
- **Integrated Pro:Idiom™**
- **Built-in ATSC/NTSC/QAM Clear Tuners**
- **640 x 480 (VGA) Panel Resolution**

- **Direct AC Input**
- **Discrete IR Codes**
- **Built-in Stereo Speakers**
- **178 Degree Viewing Angle**  
Super IPS™ Technology allows for viewing from almost any angle
- **HDMI™ and AV Inputs**
- **100mm Standard VESA™ Mounting Interface**





**SPECIFICATIONS**

<b>PANEL</b>		<b>AUDIO</b>		<b>CABINET</b>	
Screen Size	20.1"	Mono/MTS Stereo	Yes	Color	Silver
Aspect Ratio	4:3	Auto Volume Leveler	Yes	Dimensions (W×H×D)	19.06"×16.30"×2.87"
Panel Resolution (640×480)	VGA	Headphone Output	Yes (Isolated)	Weight	16.53 Lbs.
Pixels (H×V×3)	921,600	Audio Power	2×2 Watts	Carton Dimensions (W×H×D)	21.26"×18.11"×5.71
Brightness	450 cd/m <sup>2</sup>	<b>SPECIAL FEATURES</b>		Shipping Weight	19.73 Lbs.
Contrast Ratio	500:1	Discrete IR Codes	Yes	Table Stand	<b>Not Included</b>
Super IPS Panel	Yes	Menu Languages	English/Spanish/French	VESA Standard 100mm Mount Interface	Yes
Color Depth	262,144	Sleep & On/Off Timers	Yes	UL Hospital Grade AC Cord	Yes
Viewing Angle (Horizontal/Vertical)	178°/178°	Parental Control w/V-Chip	Yes	<b>POWER REQUIREMENTS</b>	
<b>VIDEO</b>		Flashback, Captions, (Flashback w/optional remote)	Yes	Direct AC Input	Yes
ATSC/NTSC/QAM Clear Tuners	Built-in	High Reliability, Sealed, Soft Touch Controls	Yes	Power Source	AC100–240V (50–60Hz)
VOD PPD Decryption	Built-in (Pro:Idiom™)	Built-in Pillow Speaker Port	Yes	Power (Nominal)	
Comb Filter	3D Digital	Remote	<b>Not included</b>	– Standby	10.0 Watts (typ.)
Digital Progressive Scan	Yes	<b>REQUIRED LISTINGS</b>		– Operation	58.0 Watts (typ.)
Auto-Programming	Yes	UL, C-UL, FCC	Yes	<b>SERVICE/LIMITED WARRANTY</b>	
White Peak Control	Yes	UL Hospital Grade	Yes	Warranty (Parts/Labor)	1 Year
<b>VIDEO/AUDIO INPUTS</b>		<b>OPTIONAL ACCESSORIES</b>		<b>UPC CODE</b>	
Composite A/V input	1 Set	Installer Remote	124-213-07	719192172210	
RF input	1 Input (on Card only)	Patient Remote	124-213-08		
MPI (RJ11) interface	Yes (on Card)	QuickSet II "Clone" Programmer	LT2002		
Stereo Headphone (Isolated)	1 (Front)				
Pillow Speaker Port	Yes				
HDMI™	Yes				
RS-232C control	Yes				

**REAR JACK PANEL**

