

# PDI 15" LOW VOLTAGE LCD MODULAR TELEVISION PDI-P15X



FRONT VIEW



PDI-P15X ON PDI-508C-12  
SWING ARM

THE PDI-P15X SETS A NEW STANDARD FOR  
THE PERSONAL SWING ARM MOUNTED LCD TELEVISION.

THE P15X PROVIDES MULTIPLE OPTIONS INCLUDING STANDARD TV ONLY, TOUCHSCREEN APPLICATIONS, NETWORKING HIGH-END COMPUTING, GAMES AND INTERNET ACCESS. COMBINED WITH ANTIMICROBIAL PLASTIC, MULTIPLE MOUNTING OPTIONS INCLUDING SWING ARM, CEILING, WALL, CHAIR OR FLOOR, THE PDI-P15X PROVIDES A SOLUTION FOR EVERY FACILITY'S NEEDS.

**PANEL**

Screen Size.....	15"
Aspect Ratio.....	4:3
Native Resolution.....	1024 x 768
Brightness.....	400 cd / m <sup>2</sup>
Contrast Ratio.....	500:1
Viewing Angle.....	160° x 140°
Color Depth.....	16.7 Mil
Lamp Life.....	50k Hours
Response Time.....	8 ms

**VIDEO**

NTSC Tuner.....	Air VHF / UHF, CATV, IRC, HRC
ATSC Tuner.....	Air VHF / UHF, CATV, IRC, HRC
QAM in the Clear.....	CATV, IRC, HRC
FM Tuner.....	88.1 - 107.9 MHz

**AUDIO**

Speakers.....	2 @ 5-watt RMS
Analog.....	Mono/Stereo/SAP
Digital.....	Dolby Digital

**HEALTHCARE SPECIFIC AUDIO FEATURES**

Audio Volume Limiter (AVL).....	Yes
Internal Speaker Disable.....	Yes
Min/Max Volume Limiter.....	Yes
Start/ Power-on Volume.....	Yes

**POWER**

Source.....	20-34 VAC 60 Hz & 20-32 VDC Dplxed over Coax
Consumption.....	30w

**REGULATORY**

UL / UL.....	Yes
Healthcare Grade UL1492.....	Yes

**WARRANTY**

**2 Year Parts and Labor Standard**

**INPUTS**

RF.....	Yes
Composite.....	Yes
S-Video.....	Yes
Component.....	Yes
HDMI.....	Yes
VGA.....	Yes
PC Audio In.....	Yes
CCI.....	Yes
MTI.....	Yes
USB.....	Yes
Pillow Speaker.....	Yes, 3 conductor 1/4" female (TIP=Audio, RING=Data, SLEEVE= Ground)

**IR REMOTES**

Program Remote.....	Yes (PD108-420)
---------------------	-----------------

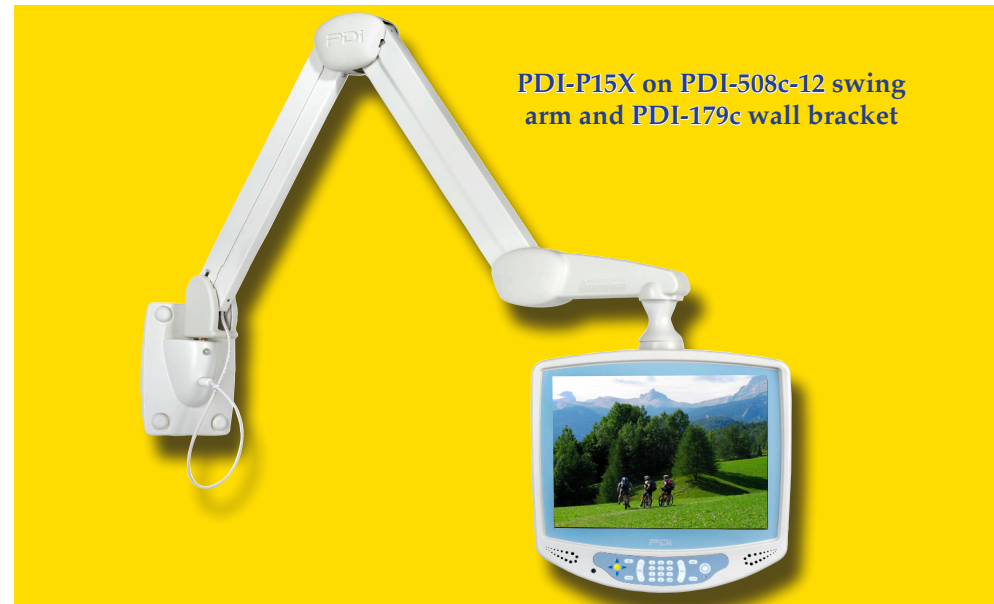
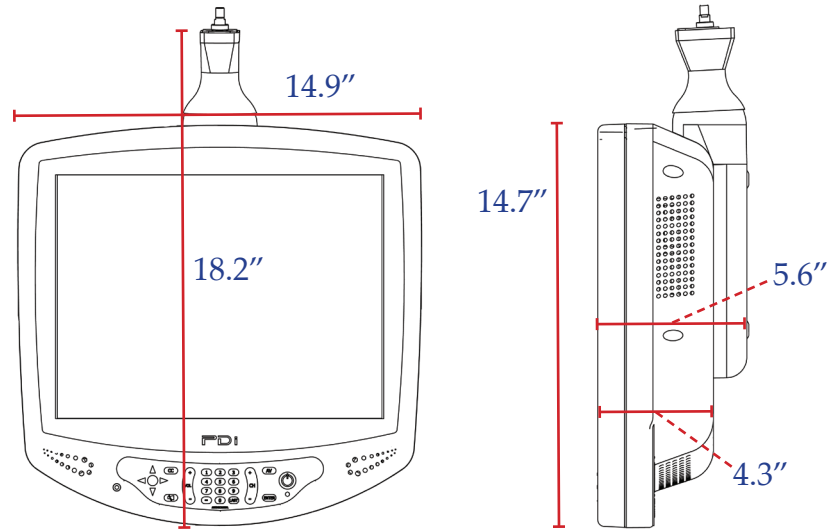
**SPECIFIC FEATURES**

Antimicrobial plastic cabinet.....	Yes
Direct Access Keypad.....	Yes, sealed antimicrobial membrane
Touch Screen Option.....	Yes
Built In Computer Option.....	Yes
Selectable Pillow Speaker.....	+14VDC, +5VDC, off, -5VDC
Universal Pillow Speaker Recognition.....	Yes
Auto Power On.....	Yes
Bed A/B.....	Yes
Programmable Source Selection.....	Yes
Direct Access to source from Pillow Speaker.....	Yes
Channel Enable/Disable.....	Yes
Parental Control (V-Chip).....	Yes
Clone Programmable.....	Yes, via USB

**SWING ARM MOUNTING OPTIONS**

The PDI-P15x will fit on the PDI-405C-12 and PDI-508C-12 PDi swing arms. Both arms can be built with various cables including CAT5/6, HDMI, or VGA.

Multiple floor, chair, counter and ceiling mounts are available. Please contact your PDi distributor or [www.pdiarm.com](http://www.pdiarm.com) for more information.



**PDI-P15X on PDI-508c-12 swing arm and PDI-179c wall bracket**

**PDi**  
Get Geniis Smart, Go Modular!

