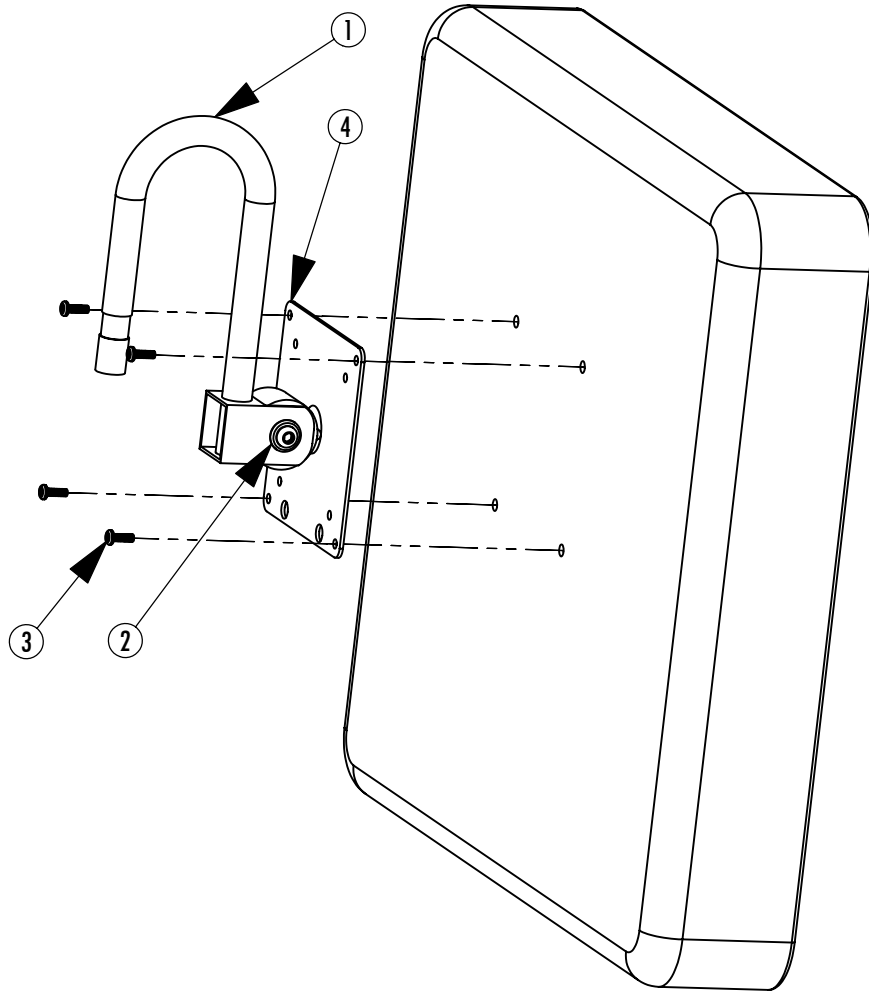


LCIL100

Hook Mount for LCD Monitors with 100mm x 100mm VESA Patterns



The instructions do not include installing the hook style wall mount

1. Attach the 100mm VESA plate to the back of the monitor with screws that are appropriate for the bosses on the monitor. M4 x 12mm x .7P (#3) are provided.
2. Hook the mount with the monitor onto the wall mount.
3. Adjust the viewing angle and tighten the 5/16" socket head screw (#2).

Contents List		
Item #	Description	Qty.
1	Hook w/ Knuckle	1
2	5/16" x 1-7/8" Flanged Socket Head Cap Screws	1
3	M4 x 12mm 0.7P Machine Screws	4
4	75mm/100mm VESA plate	1
5	5/16" Bellville Washers	3
6	5/16" Flat Washer	1
7	5/16" Nylok Nut	1