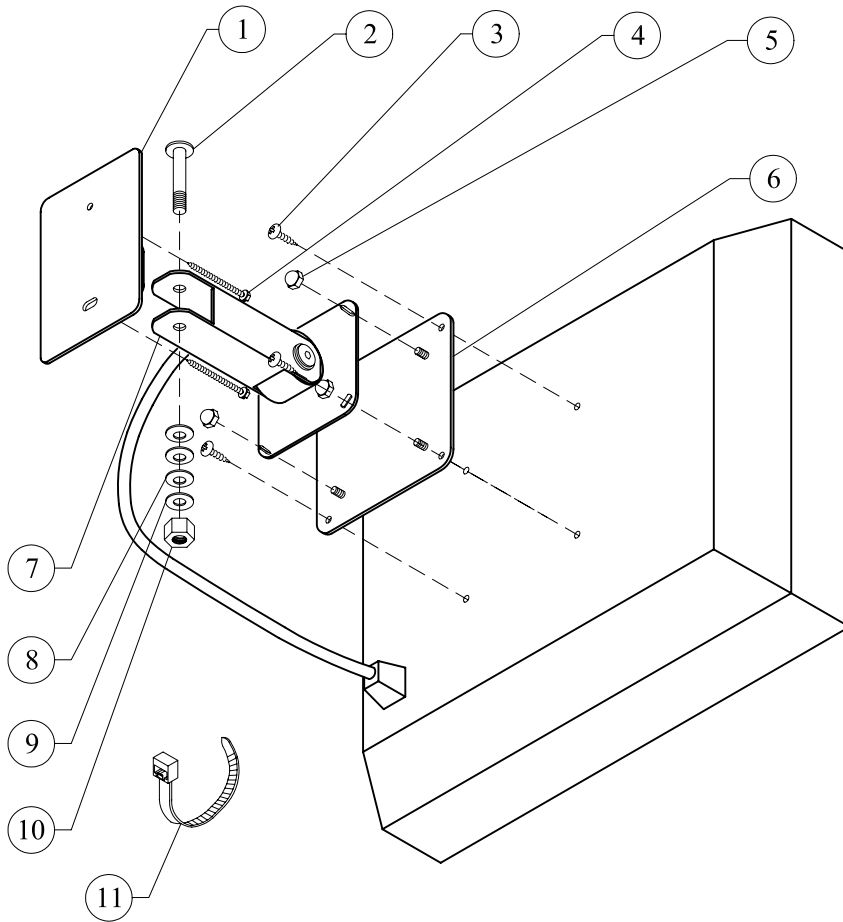


LCDU375W & LCDU550W for Flat Panel Screens up to 19" with 75mm or 100mm VESA Patterns



1. Remove flanged socket head cap screws (#2), washers (#8 & 9), and nylon nuts (#10) from LCD wall mount arm.
2. Attach adaptor plates (#6) to monitor with screws appropriate for your monitor. M4 x 12mm x .7P are provided.
Note: Some monitors may require adding spacers between monitor and LCD adaptor plate, washers (#12) have been provided for this if necessary.
3. Predetermine the best possible viewing location for monitor and attach LCD wall plate to studs in wall with appropriate hardware. Lag screws (#4) have been provided for attachment to wood stud walls.
4. Attach LCD wall arm and monitor to LCD wall plate with hardware that was removed in step #1.
5. Check assembly for stability. Ensure all fittings and fasteners are properly tightened and safe.
6. If screen is not level loosen acorn nuts #5 adjust and retighten. Use plastic ties provided to tie up any loose cords.

EXTRA WASHERS TO BE USED AS SPACERS BETWEEN MONITOR & VESA PLATE WHEN NEEDED

TOOLS REQUIRED:
 3/16" HEX KEY WRENCH
 1/2" BOX WRENCH
 DRILL WITH 3/16" BIT &
 3/8" SOCKET DRIVER

ITEM NO.	DESCRIPTION	QTY
1	LCD WALL PLATE W/ KNUCKLE	1
2	5/16-18 x 1-7/8" HMS FLANGED SOCKET HD CAP SCREWS	2
3	M4 x 12mm 0.7P MACHINE SCREWS	4
4	#14 x 2-1/2" LAG SCREWS	2
5	#10-24 ACORN NUTS	4
6	LCD ADAPTER PLATES	1
7	LCD WALL MOUNT ARM	1
8	5/16 BELLEVILLE WASHERS	6
9	5/16 FLAT WASHERS	2
10	5/16 NYLON LOCK NUTS	2
11	PLASTIC TIES	2
12	#10 FLAT WASHERS	12